

DISPLAY | Multidecks

DISPLAY ► WALL SITE MULTIDECK

3NZ 12

CUSTOMIZATION AVAILABLE
PERSONALIZZAZIONE DISPONIBILE

MADE IN ITALY

30 mm | M1 -1°C / +5°C | ENERGY CLASS C | 3 +25°C/60RH | LED | GAS R290

DETAILS

Panoramic ends | Sliding doors with grab handle | Glass or plexiglas product stopper | Lockable castor | Adjustable glass shelves | Cans holder



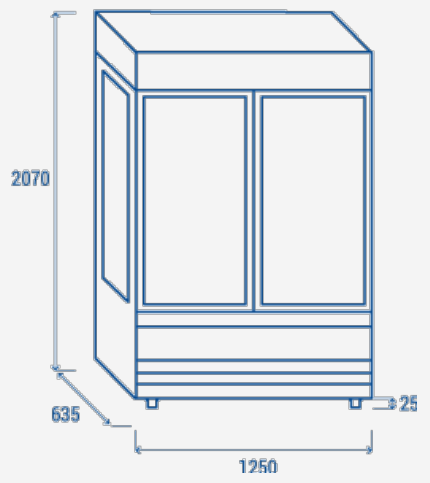
GENERAL FEATURES

- Wall showcase with sliding doors (Width: 1250mm)
- Black coated steel for internal and external side
- Ventilated Cooling
- Foaming Agent Cyclopentane (30mm per side - CFC Free)
- Automatic compressor cycle defrost
- Digital display control
- Interior LED light
- Anti-condensation double layer glass
- Adjustable shelves: 5 Pcs
- Panoramic ends providing the maximum visibility of the goods
- Aluminium end trims and front panel
- Charcoal black bumper
- N.4 Adjustable feet
- Energy efficiency class: C

TECHNICAL SPECIFICATIONS

Capacity	754 L
Temperature	M1 (-1°C-+5°C)
Consumption	6.9 kWh/24h
Rated Power	654 W
Noise level	70 dB(A)
Net Weight	234 Kg
Gross Weight	276 Kg
External Dimensions (WxDxH mm)	1250x635x2096
Internal Dimensions (WxDxH mm)	1186x335x1405
Packaging dimensions (WxDxH mm)	1360x760x2200
Loading quantities 20'/40'/40'HQ	11/23/23

PRODUCT DIMENSIONS



CERTIFICATION

CE RoHS

